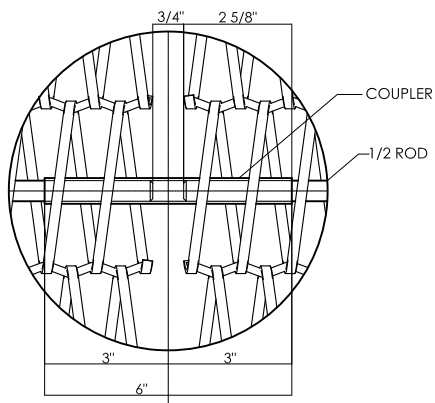
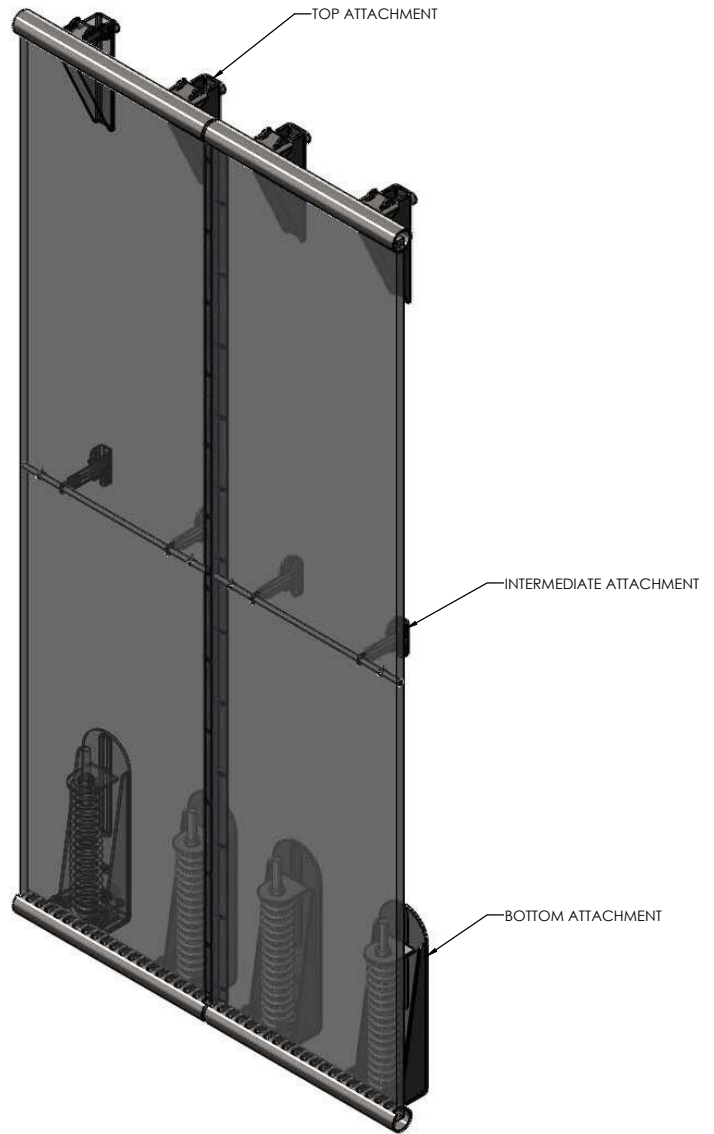


**B** PANEL CONNECTION  
REF: \_\_\_\_\_ SCALE: \_\_\_\_\_



**A** COUPLER CONNECTION DETAIL  
REF: \_\_\_\_\_ SCALE: \_\_\_\_\_

**VELOCITY**



www.CambridgeArchitectural.com  
866.806.2385