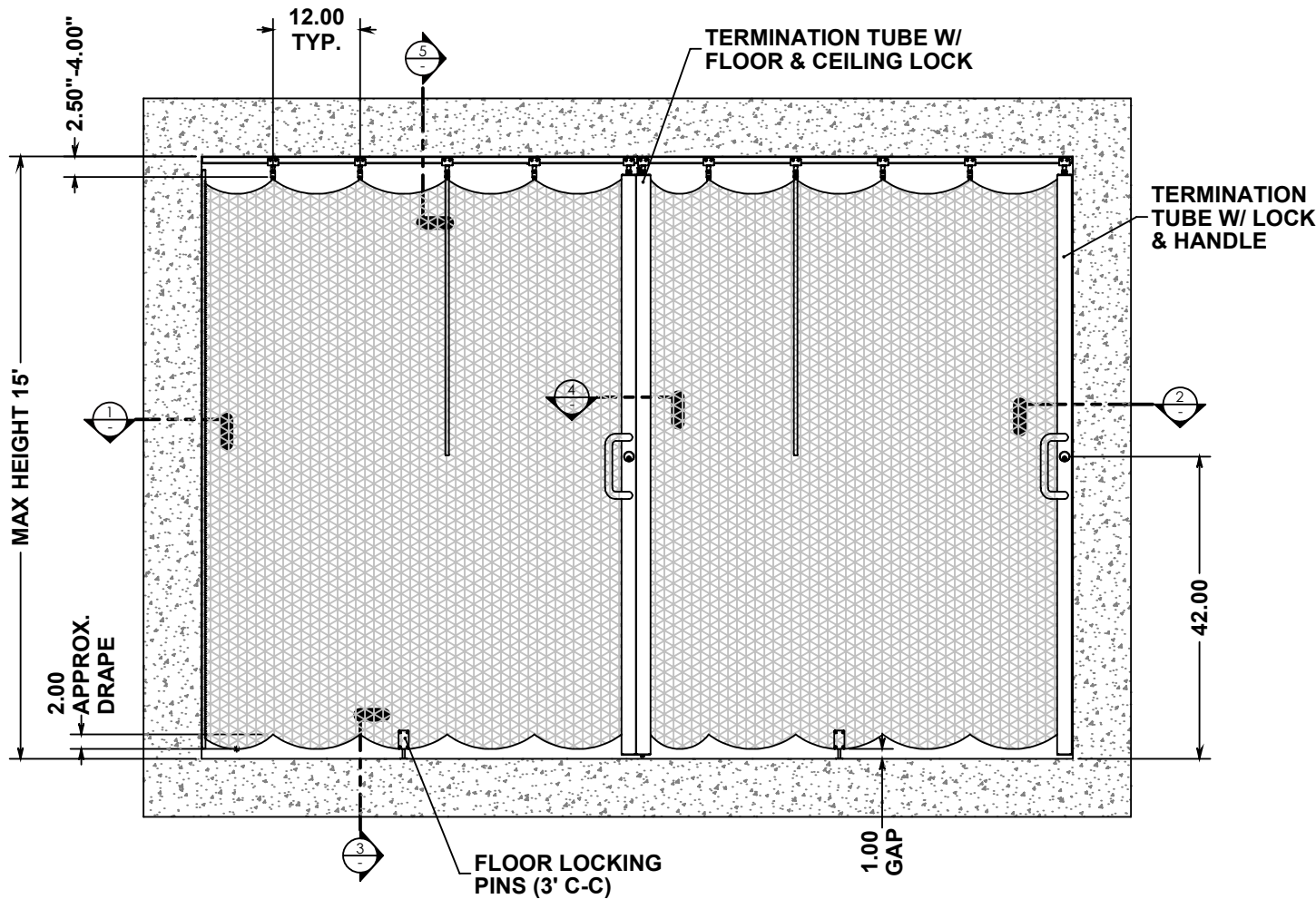


MIDDLE TERMINATION TUBES ARE NOT NEEDED SHOWN FOR REFERENCE ONLY



1 CURTAIN ELEVATION
SCALE: NTS

STANDARD SIZES

HEIGHT	WIDTH	PANEL TYPE
MAX 15'	UNLIMITED	FULL WIDTH

SYSTEM DESIGN ATTRIBUTES

WEAVE TYPE	BALANCE WEAVE
ATTACHMENT TYPE	TRACK AND PINS
PRIMARY VERTICAL LOAD	TOP TRACK ATTACHMENT

SYSTEM COMPONENTS

MESH PATTERNS	MID-SHADE
	MID-BALANCE
TRACK MATERIAL	T304 STAINLESS STEEL
TERM. TUBE MATERIAL	T304 STAINLESS STEEL
HARDWARE MATERIAL	18-8 STAINLESS STEEL

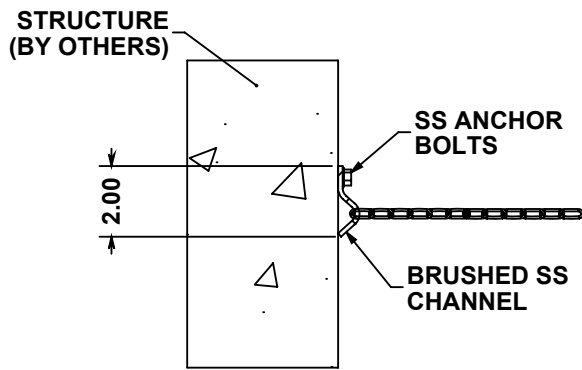
"CATALINA" CURTAIN

NOT TO SCALE

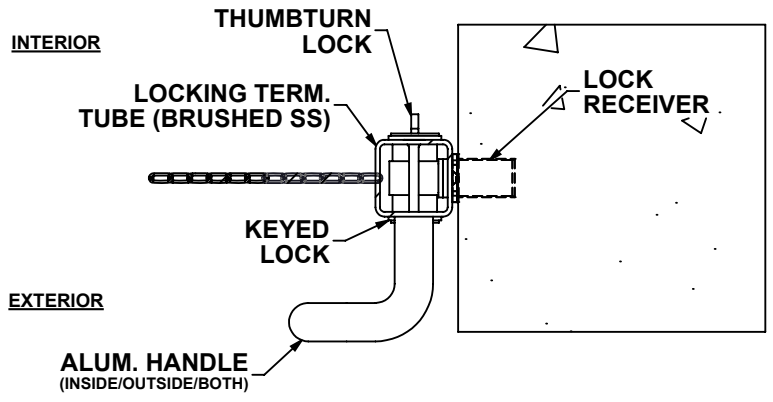


CAMBRIDGE ARCHITECTURAL MESH
105 GOODWILL RD. | CAMBRIDGE, MD 21613
TOLL FREE: 866-806-2385
WWW.CAMBRIDGEARCHITECTURAL.COM

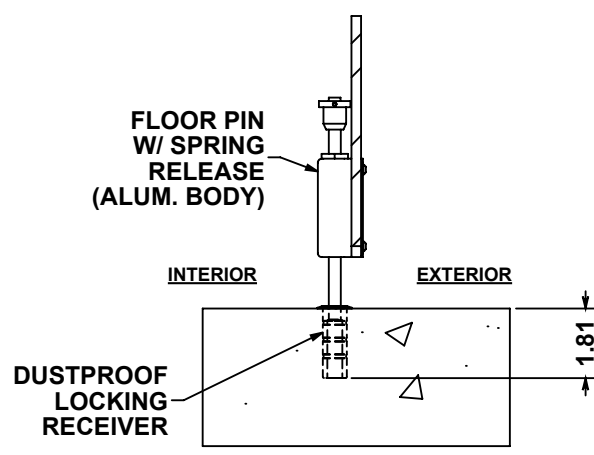
WARNING:
DETAILS ABOVE ARE TYPICAL ONLY AND ARE BASED ON THE MATERIALS AND PROPERTIES OF EACH COMPONENT AS MANUFACTURED OR FABRICATED BY CAMBRIDGE ARCHITECTURAL MESH. ANY SUBSTITUTIONS MAY RESULT IN THE FAILURE OF THE SYSTEM. ANY DEVIATION FROM THE STANDARD SIZES OR MATERIALS ABOVE SHOULD BE RECONFIGURED WITH THE MANUFACTURER PRIOR TO SPECIFICATION.



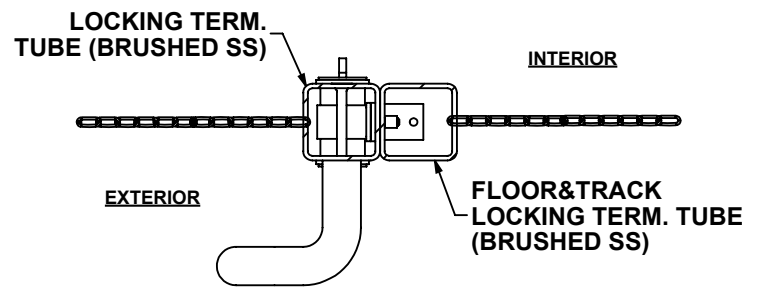
1 WALL ATTACHMENT
SCALE: NTS



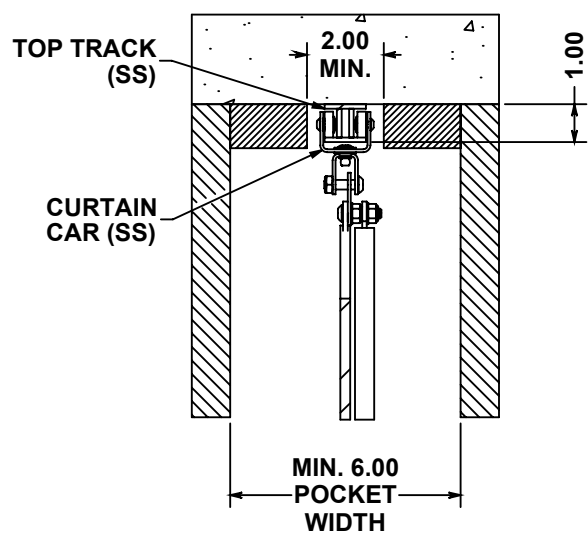
2 WALL LOCK ATTACHMENT
SCALE: NTS



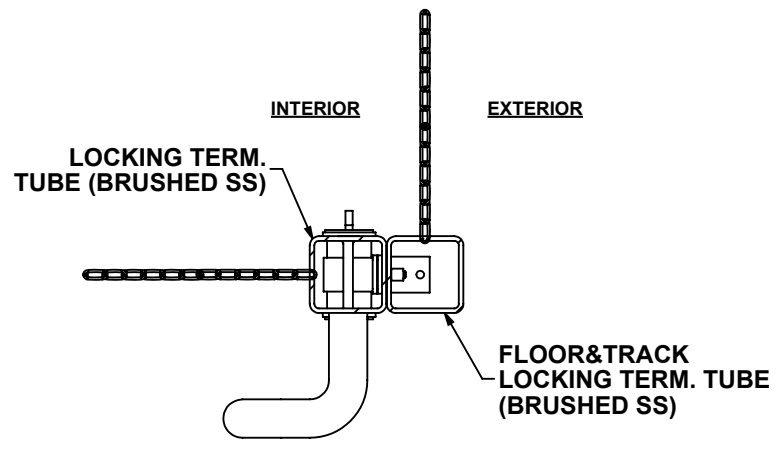
3 FLOOR PINS
SCALE: NTS



4 CENTER TUBE ATTACHMENTS
SCALE: NTS



5 TOP TRACK
SCALE: NTS



6 CORNER TUBE ATTACHMENTS
SCALE: NTS

"CATALINA" CURTAIN

NOT TO SCALE



CAMBRIDGE ARCHITECTURAL MESH
105 GOODWILL RD. | CAMBRIDGE, MD 21613
TOLL FREE: 866-806-2385
WWW.CAMBRIDGEARCHITECTURAL.COM

WARNING:
DETAILS ABOVE ARE TYPICAL ONLY AND ARE BASED ON THE MATERIALS AND PROPERTIES OF EACH COMPONENT AS MANUFACTURED OR FABRICATED BY CAMBRIDGE ARCHITECTURAL MESH. ANY SUBSTITUTIONS MAY RESULT IN THE FAILURE OF THE SYSTEM. ANY DEVIATION FROM THE STANDARD SIZES OR MATERIALS ABOVE SHOULD BE RECONFIGURED WITH THE MANUFACTURER PRIOR TO SPECIFICATION.